



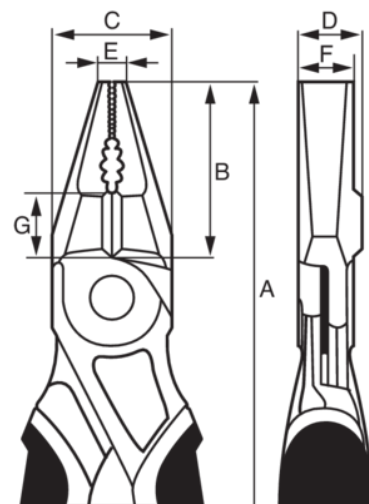
2630SC

Reinforced Combination Pliers with Insulated Dual-Component Handles and Chrome Finish



PRODUCT DETAILS




- Two-component ERGO™ insulated handles: thermoplastic surface on tough polypropylene base provides superior grip
- Developed according to the scientific ERGO™ process
- For working on live equipment up to 1000 V in compliance with IEC 60900
- Cutting capacity: 2 mm to 3 mm iron alloy, 1.8 mm to 2.5 mm piano wire
- Reinforced head and gripping surfaces particularly suited for flat and round material
- Special head design for better accessibility, with hardened cutting edges for cutting soft and hard wire
- High-performance alloy steel
- Chrome plated finish, anti-corrosion treated
- Standards: ISO 5746, IEC 60900
- Every tool is tested at 10,000 V for 10 seconds at the end of the manufacturing process



Follow the Fish!



PRODUCT ATTRIBUTES

Product	A	B	C	D	E	F	G	 Fe+	 Piano	 g
2630SC-180	180 mm	36 mm	24 mm	10.8 mm	3.5 mm	10.8 mm	14 mm	2.5 mm	2.0 mm	240 g

Follow the Fish!

