

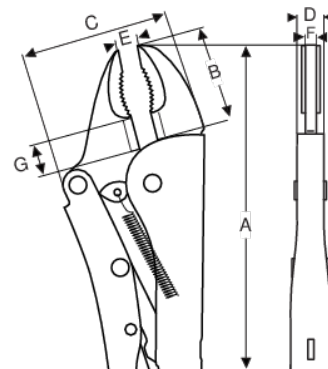


**2951**  
**Grip Locking Pliers with Curved Jaws**



**PRODUCT DETAILS**




- Gripping capacity of 30 mm to 75 mm
- Cutting capacity: 1.2 mm to 4 mm of Fe+
- Chrome finish for good rust protection
- Curved jaws, general purpose
- Good grip on round parts
- Thin, neat jaws for good accessibility
- Includes cutter, suitable for cutting welding leads
- Adjustable locking power fixing nut easy to unlock
- To be used on cars, in the garage or in the workshop or factory for production or maintenance applications as well as for plumbing and heating work
- Edges will cut welding leads etc.



**Follow the Fish!**



PRODUCT ATTRIBUTES

Product	<b>A</b>	<b>B</b>	<b>C</b>	<b>D</b>	<b>E</b>	<b>F</b>	<b>G</b>			
<b>2951-140</b>	140 mm	22 mm	47 mm	6.5 mm	4 mm	7.0 mm	4 mm	1.2 mm	30 mm	180 g
<b>2951-180</b>	190 mm	30 mm	43 mm	10 mm	5 mm	10.0 mm	7 mm	2 mm	42 mm	420 g
<b>2951-250</b>	235 mm	35 mm	54 mm	11 mm	6 mm	11.0 mm	11 mm	3 mm	63 mm	660 g
<b>2951-300</b>	300 mm	46 mm	67 mm	13.5 mm	7 mm	13.5 mm	14 mm	4 mm	75 mm	900 g

